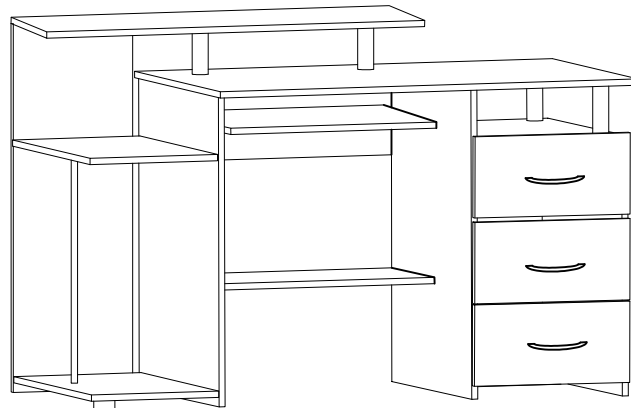


# INSTRUCTIONS/ANLEITUNG/VEJLEDNING INSTRUCTIES/INSTRUKCE

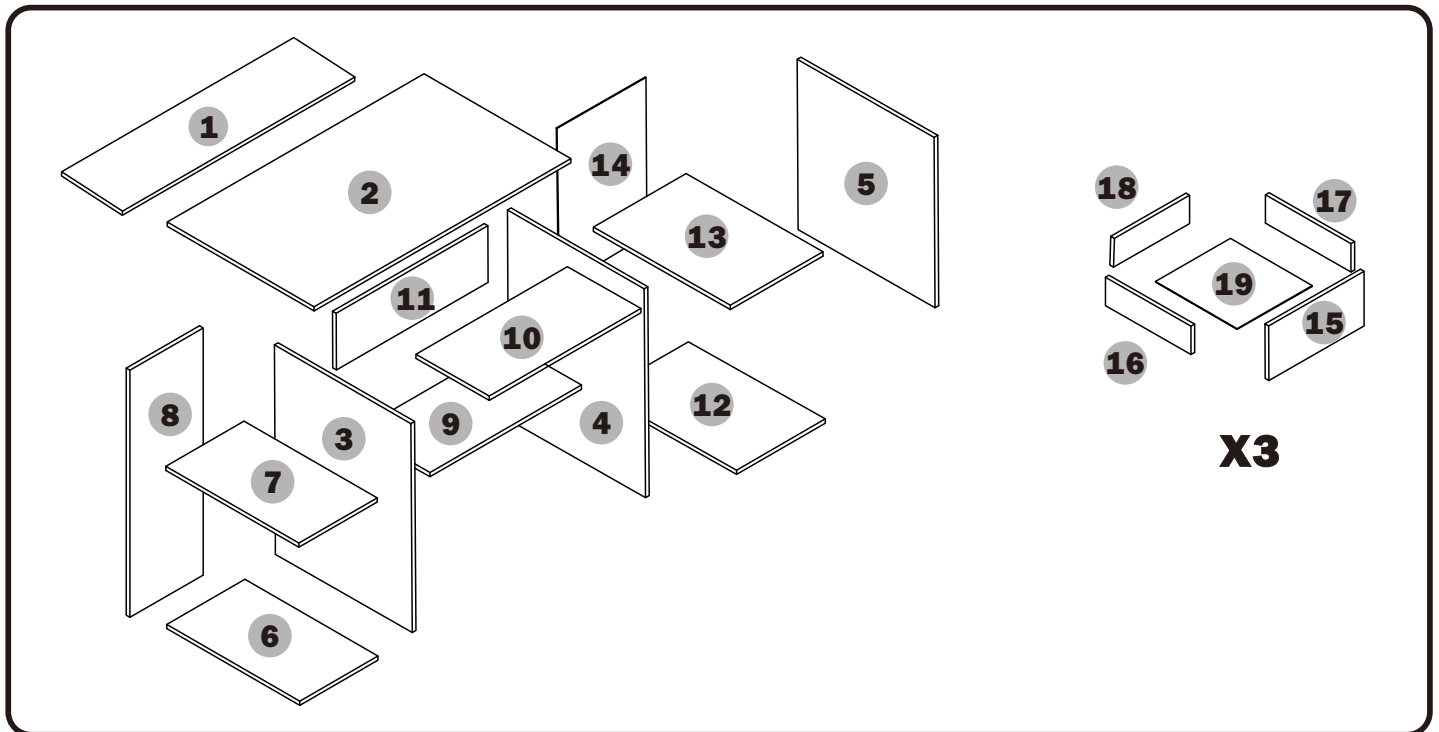


www.twincodk.com  
www.twincochina.com

6920 Classic Computer Desk



## ▀ PARTS LIST



## ▀ ACCESSORIES LIST

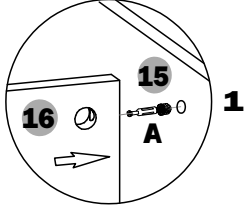
|                                                                    |                            |                      |                              |                                                                    |                      |                           |
|--------------------------------------------------------------------|----------------------------|----------------------|------------------------------|--------------------------------------------------------------------|----------------------|---------------------------|
| <b>A</b><br><br>53PCS                                              | <b>B</b> 8*40<br><br>25PCS | <b>C</b><br><br>1PCS | <b>D</b> 3.5*14<br><br>32PCS | <b>E</b> 3.5*35<br><br>12PCS                                       | <b>F</b><br><br>3PCS | <b>G</b> 4*18<br><br>6PCS |
| <b>H</b> 581mm<br><br>1PCS                                         | <b>I</b> 123mm<br><br>4PCS | <b>J</b><br><br>4PCS | <b>K</b> 142mm<br><br>4PCS   | <b>L</b><br>Left<br><br>Left<br><br>Right<br><br>Right<br><br>3PCS |                      |                           |
| <b>M</b><br>Left<br><br>Left<br><br>Right<br><br>Right<br><br>1PCS |                            | <b>N</b><br><br>1PCS | <b>O</b> 3.5*30<br><br>1PCS  |                                                                    |                      |                           |



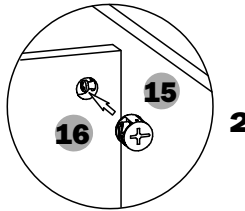
**Do not tighten the screws before all screws are in place.**

**1**

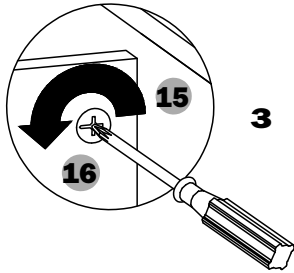
All "A" Hardware  
Assembly Method



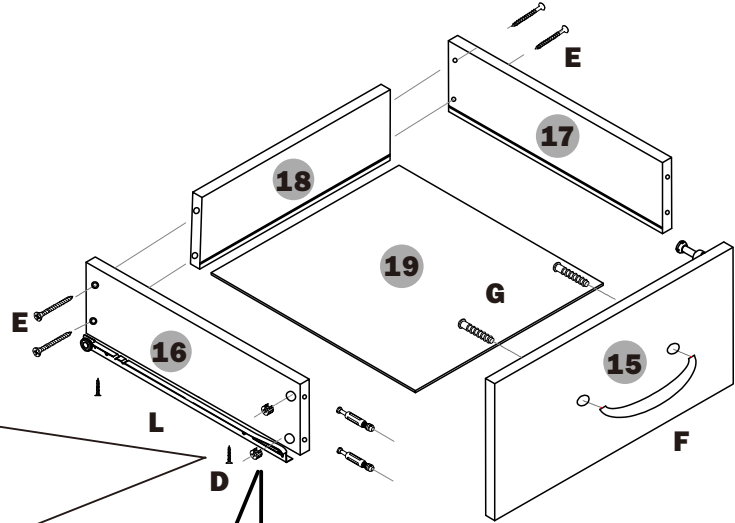
**1**



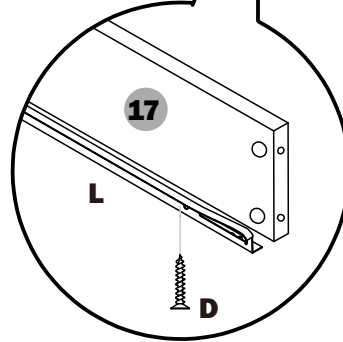
**2**



**3**

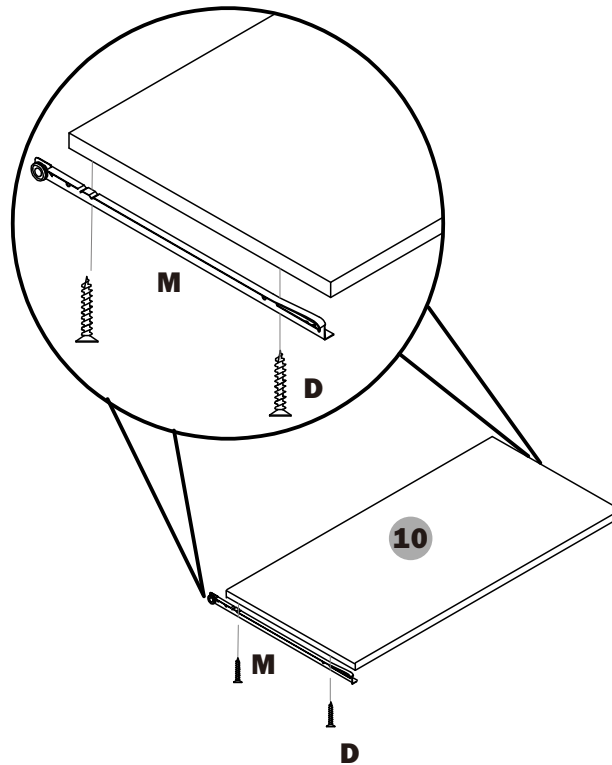


**X3**



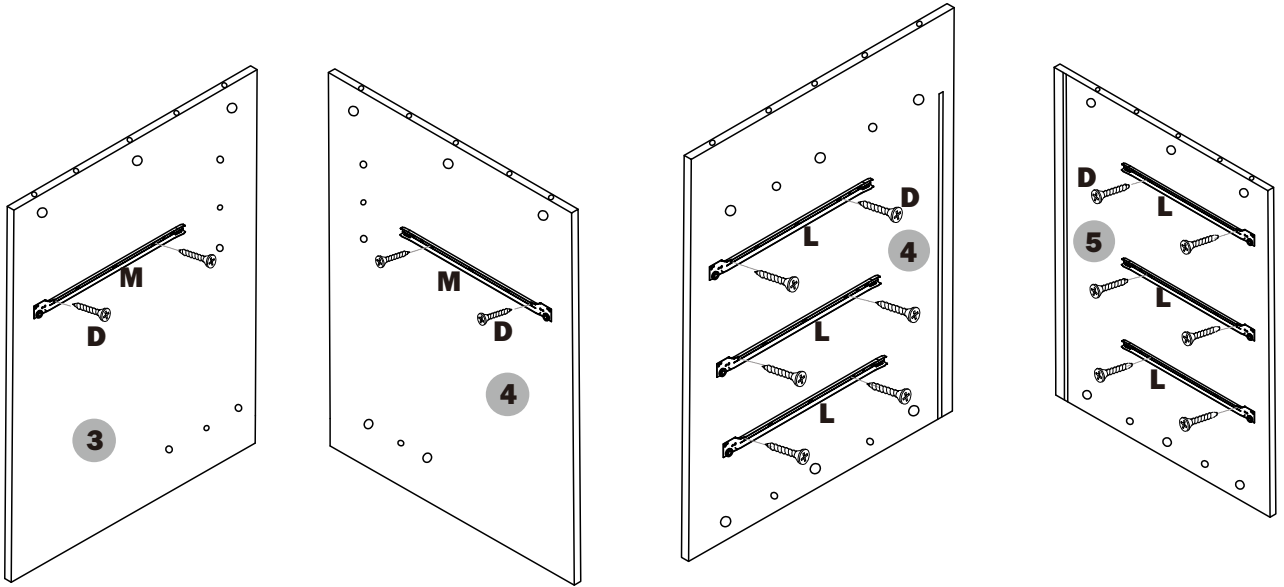
|             |             |             |            |            |            |
|-------------|-------------|-------------|------------|------------|------------|
| <b>Ax12</b> | <b>Dx12</b> | <b>Ex12</b> | <b>Fx3</b> | <b>Gx6</b> | <b>Lx3</b> |
|-------------|-------------|-------------|------------|------------|------------|

**2**



|            |            |
|------------|------------|
| <b>Dx4</b> | <b>Mx1</b> |
|------------|------------|

3

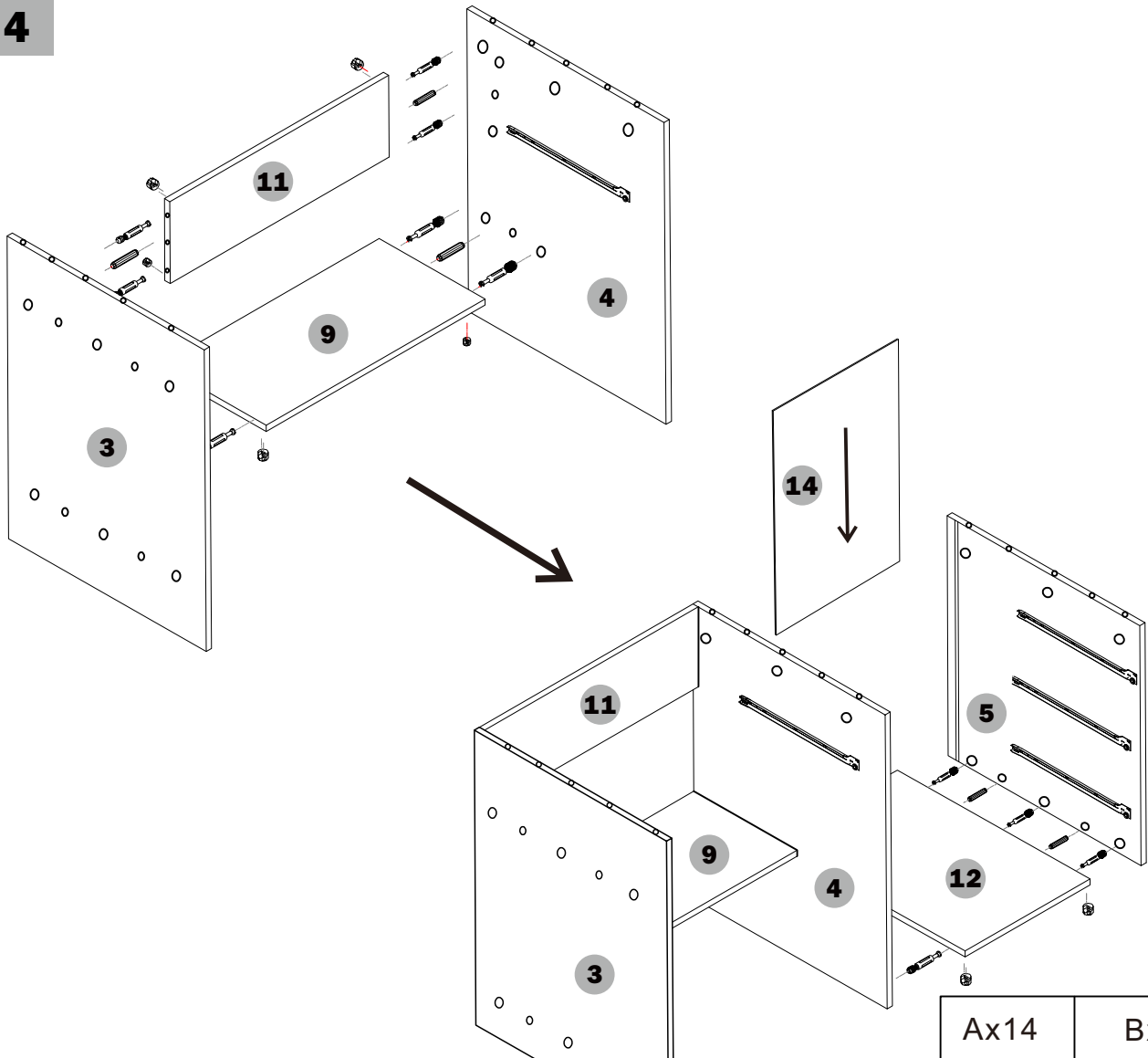


Dx16

Lx3

Mx1

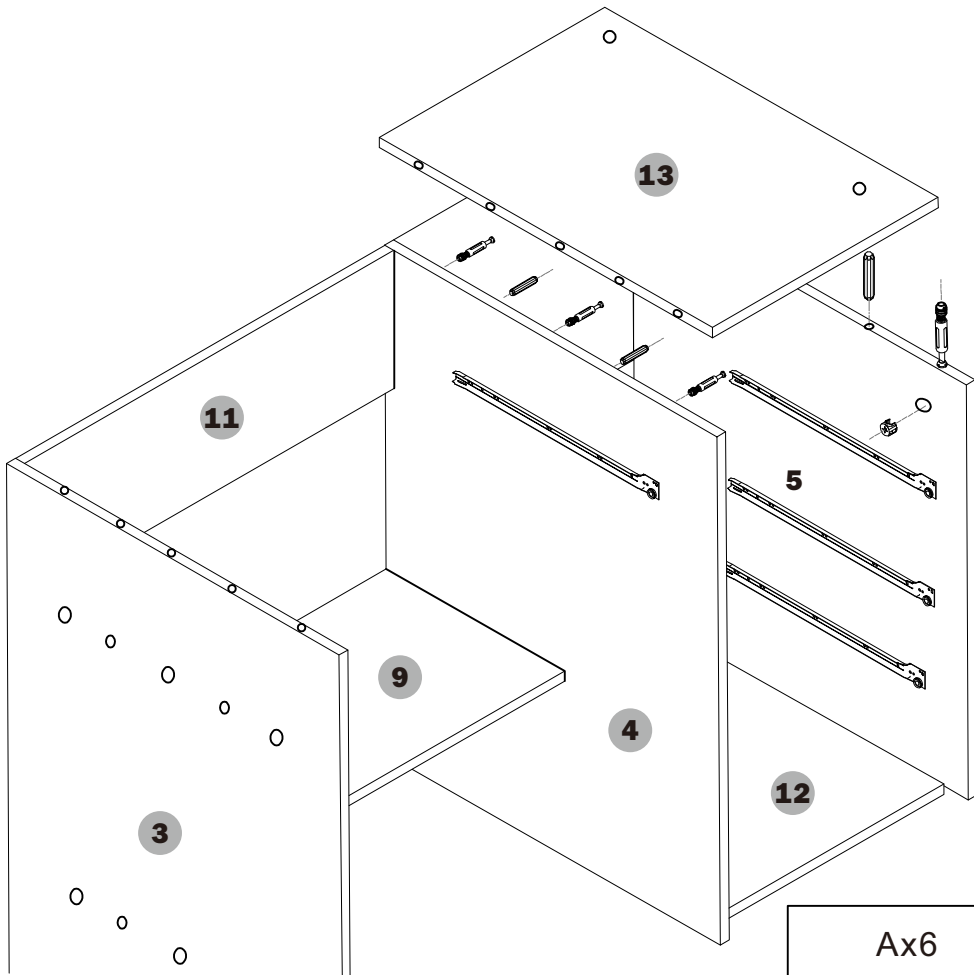
4



Ax14

Bx8

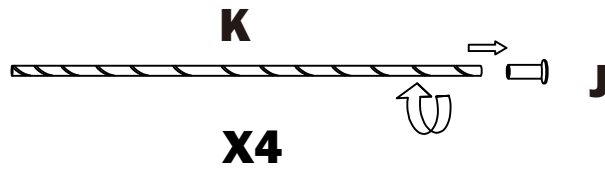
5



Ax6

Bx4

6



X4

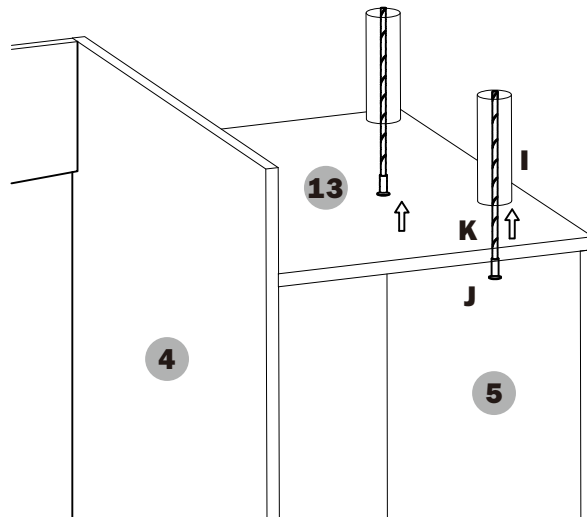


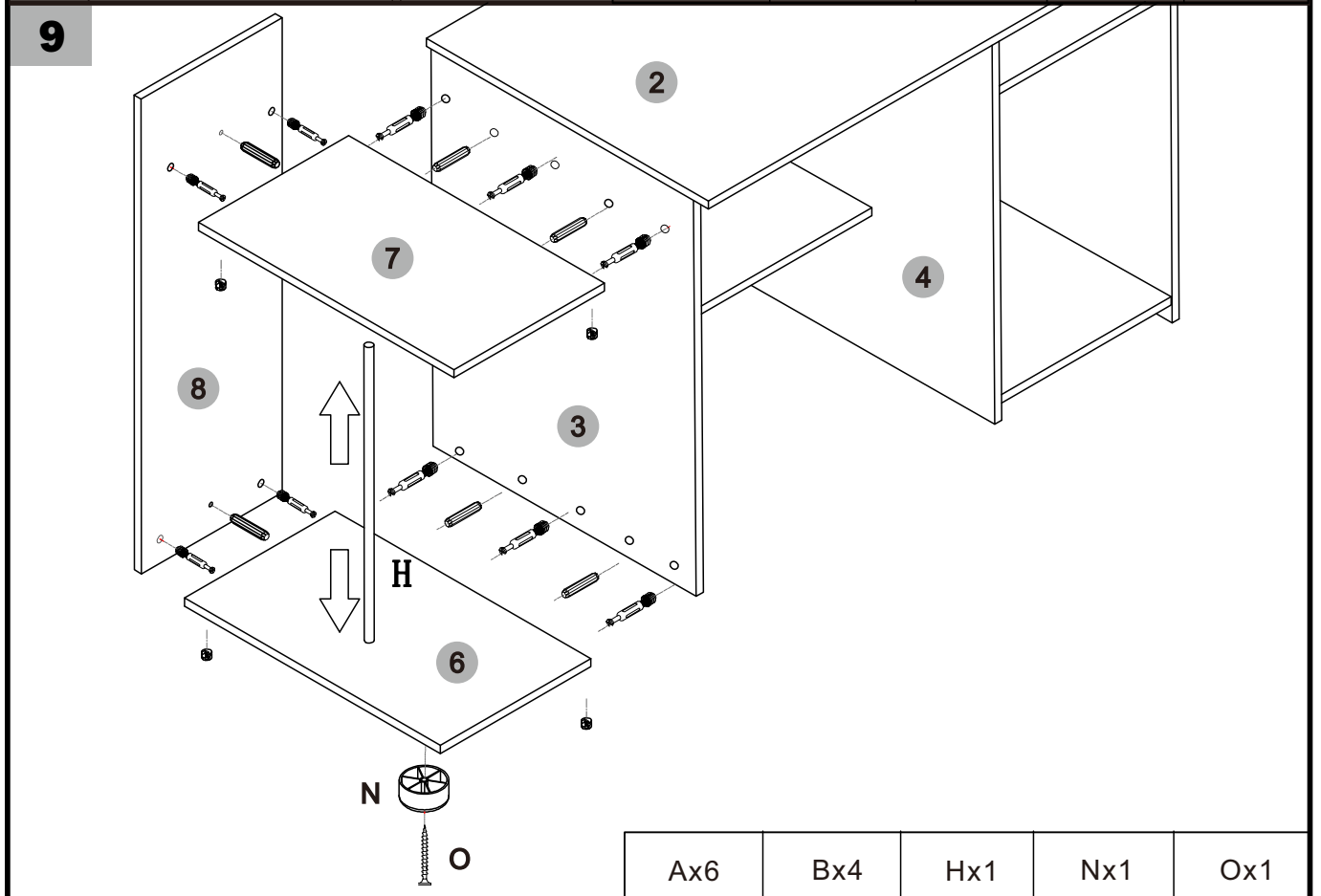
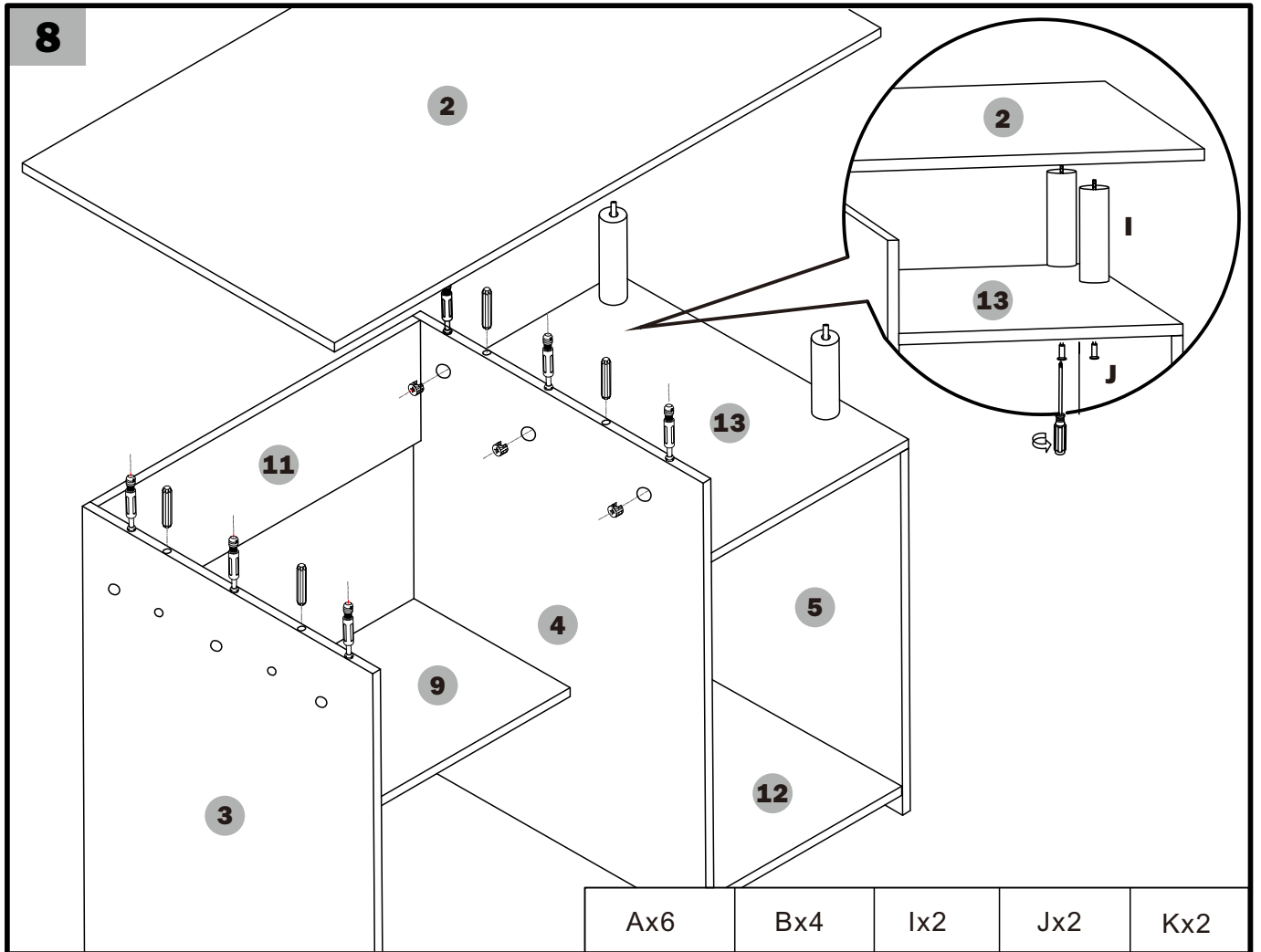
Please tighten screw shaft into the nut firmly

Jx4

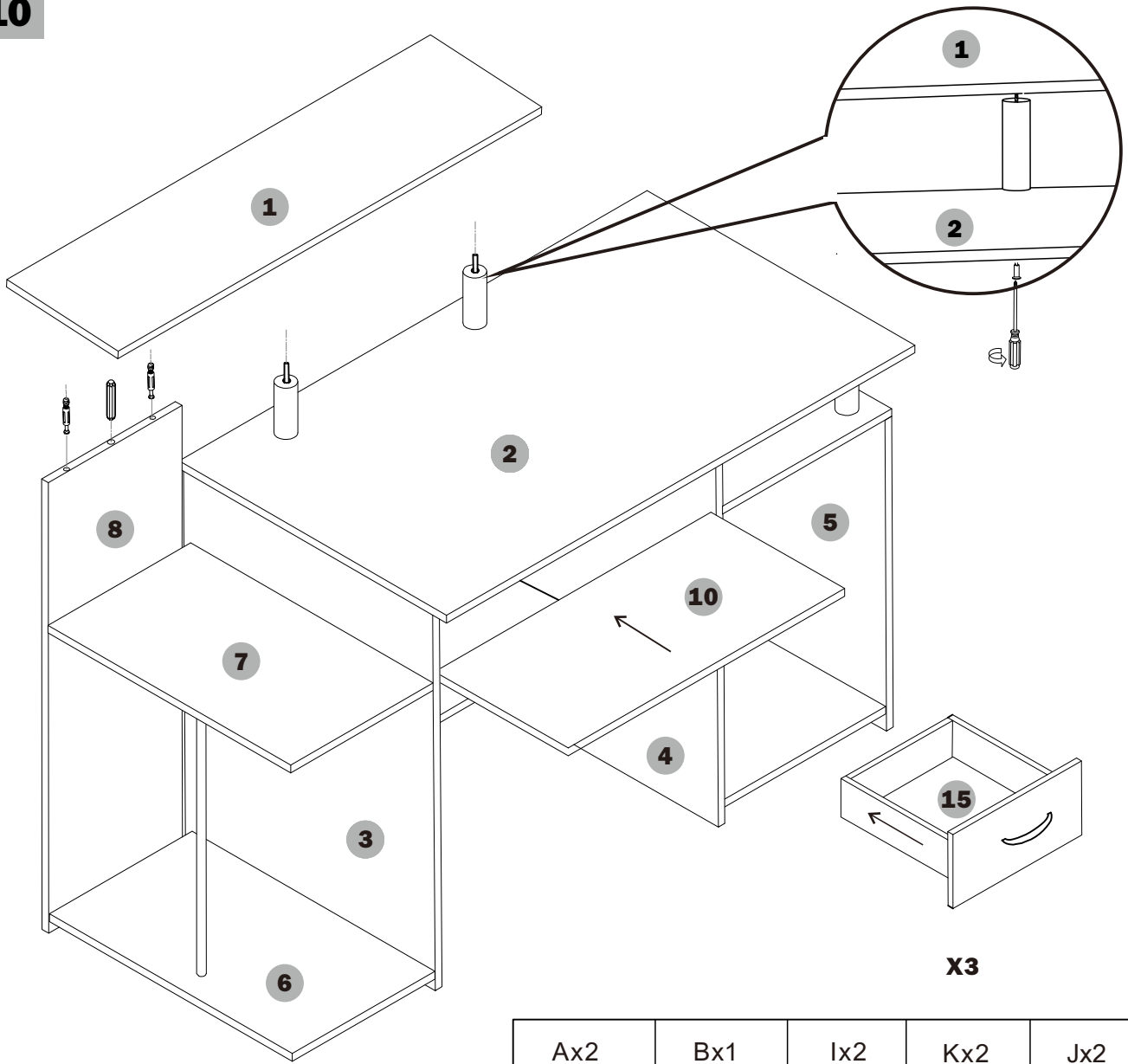
Kx4

7





**10**



|     |     |     |     |     |
|-----|-----|-----|-----|-----|
| Ax2 | Bx1 | Ix2 | Kx2 | Jx2 |
|-----|-----|-----|-----|-----|

**11**

